



## Deep Sea 860x Install Guide



### 1. Unpack Components

- Unpack the monitor, antenna, and data and power cable.
- Inspect all components to ensure there is no shipping damage.

### 2. Installing Antenna

- Place the antenna vertically at the center of the roof of the generator.
- Route the antenna cable into the area of the generator control.
- Ensure a drip loop lower than the monitor to prevent water from running down the antenna cable into the monitor connection.

### 3. Attach the Antenna Cable:

- Attach the antenna cable to the front of the monitor and tighten thumb tight.

### 4. Attaching the Monitor.

- Attach the monitor via its magnetic feet, on top of the engine controller or another appropriate location.
- Horizontal surfaces are best, but the unit may be mounted vertically or even upside down if necessary.

*\*Note: If mounted vertically, install the monitor with the cables down to prevent water from entering the enclosure.*

### 5. Connect the Monitor:

- The monitor can connect to the Deep-Sea Controller via a 2-wire (RS485) Modbus connection.

### 6. Utilize Modbus Capabilities:

- Connect the OMN white (Data+) and green (Data-) wires to RS485 connector Pin 72 (+) and Pin 73 (-).
- Set up Controller Communication port according to connection type to Baud Rate = 19200, Server ID = 10, Port Usage = Modbus Server (Shown below)
- Set up VLEDS (Shown Below)

### 7. Power On and Check LEDs:

- Confirm that the LEDs light up and blink. *(Scan QR Code for light sequence)*
- If not, check for power wires at the battery.

### 8. Confirm Installation:

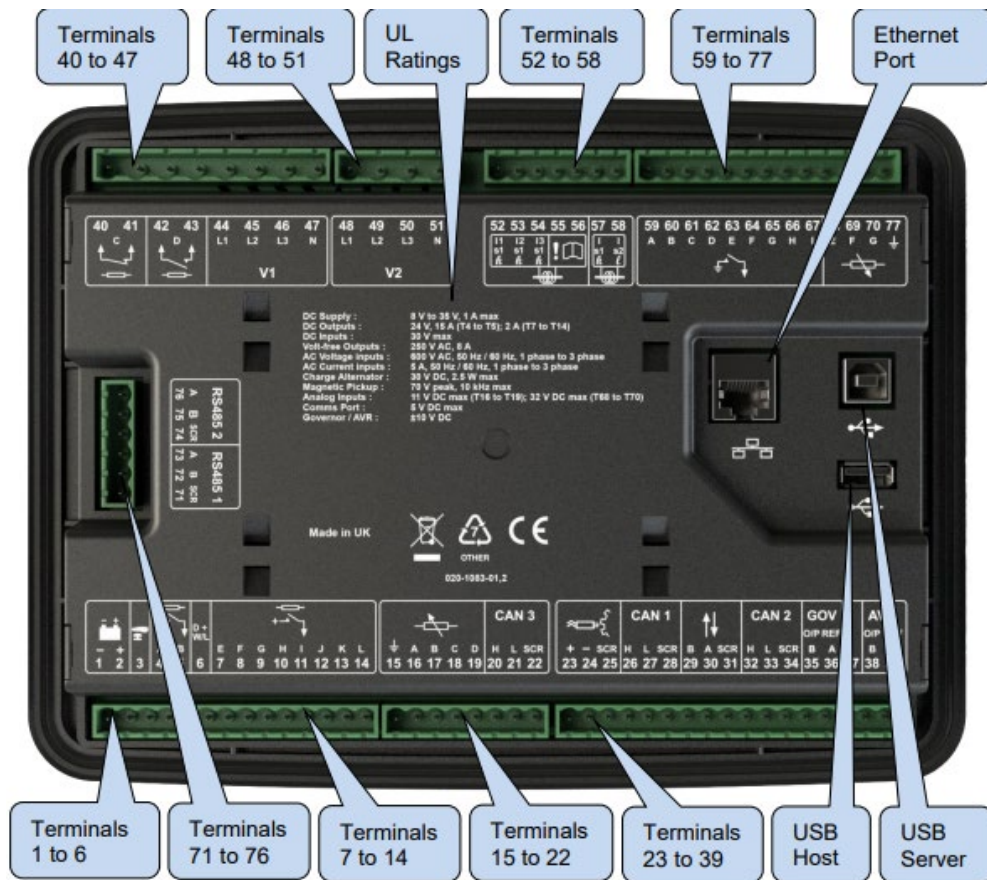
- Allow 15 minutes for the monitor to log into the network. Call OmniMetrix at 770-209-0012 to confirm installation.





## Deep Sea 860x Install Guide

Deep Sea 860x Wiring Diagram			
SLEEVE COLOR	OMNI WIRE	FUNCTION	TERMINATION
Red	Red	Power In (9-30Vdc)	Battery +
	Black	Ground	Battery -
Blue	White	Modbus Data +	72 B
	Green	Modbus Data -	73 A



DSE860x Controller (Back)

If you have any questions, please call OmniMetrix Tech Support at

770-209-0012 or email at [techsupport@omnimetrix.net](mailto:techsupport@omnimetrix.net)





## Deep Sea 860x Install Guide

### RS485 Set Up

