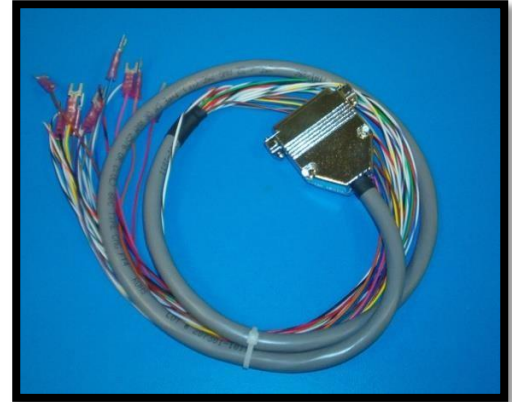


1. Unpack the monitor, antenna, and data/power cable. Verify no shipping damage. The data/power cable is a 25-pin connector for power and data/alarms.
2. Place the antenna vertically on the generator roof, ensuring 20 cm separation from people and other transmitters. Use a drip loop to prevent water damage.
3. Attach the monitor to the engine controller. Mount horizontally ideally, but vertical or upside-down is possible—install vertically with cables down to prevent water ingress.
4. Attach antenna cable to the monitor's front and tighten.
5. The monitor wires to the Basler terminal board using the wiring definitions as shown in Table 1 (next page)
6. Set up controller communications:
Baud Rate 9600, Unit ID 125, Modbus Mapping = Legacy
7. Turn on the monitor and confirm that the LEDs light up and blink. If not, check for power on the terminal strip. If, after 5 minutes, the only LED lit is the Power LED, check the antenna mount and cable connection
8. Allow 15 minutes for the monitor to log into the network and then call OmniMetrix at 770-209-0012 to confirm installation.



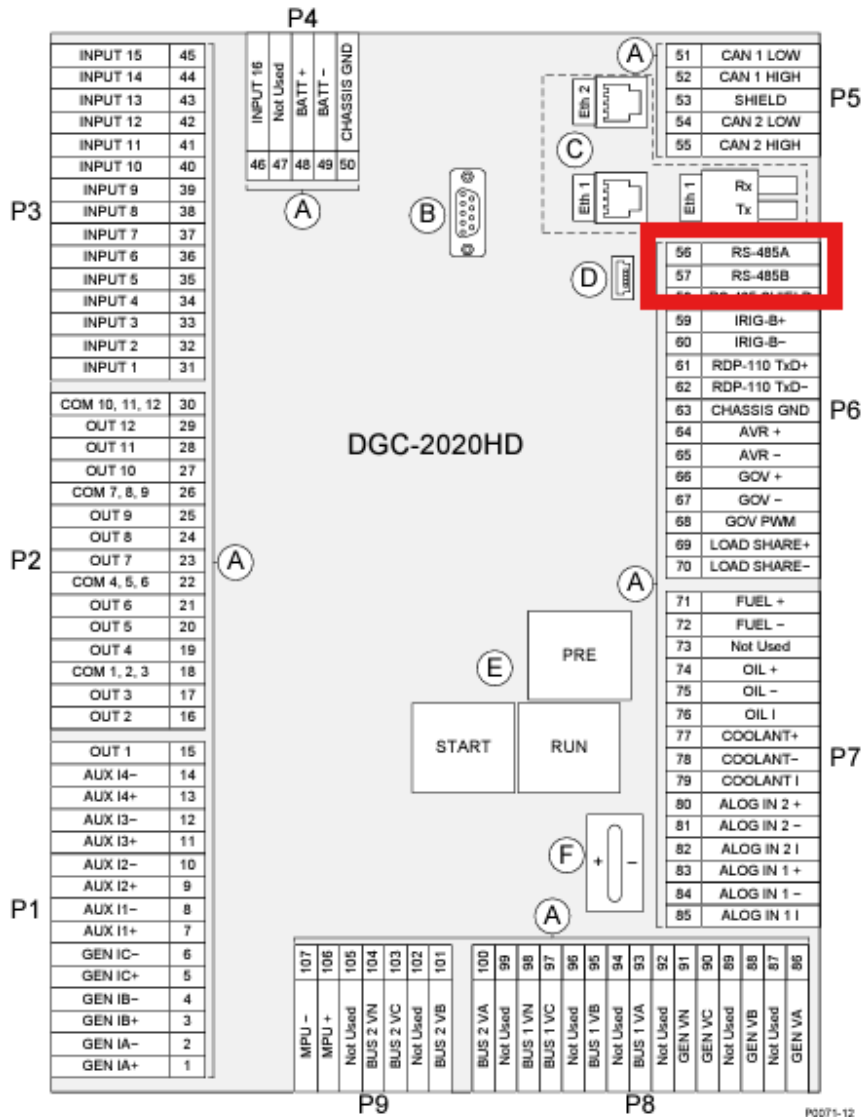
Data/Power Cable



DGC2020 Controller

Basler 2020 Wiring Installation		
OMN Wire	Alarm Function	Basler Terminal
Red	Battery+	48
Black	Battery-	49
White	RS485 Data+	57
Green	RS485 Data-	56

If a 2-wire remote start is desired, use OmniMetrix White/Yellow and White/Brown wires across the 2-wire start terminals.



If you have any questions, please call OmniMetrix Tech Support at 770-209-0012 or email at techsupport@omnimetrixconnect.com