

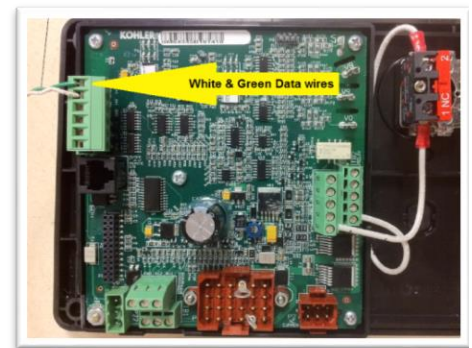
1. Unpack the monitor, antenna and the data/power cable. The 25 pin connector plugs onto the front of the OmniMetrix® monitor. This cable includes wires to power the monitor as well as wires for alarm inputs, relay outputs and analog inputs. Take a moment to inspect all components to verify there is no shipping damage.
2. Place the antenna vertically on the roof of the generator and route the antenna cable into the area of the generator control. The antenna used for transmitting must be installed to provide a separation distance of at least 20 cm from all persons and must not transmit simultaneously with any other antenna transmitters. BE SURE to provide a drip loop lower than the monitor to keep water from running down the antenna cable into the monitor connection.
3. Attach the monitor via its magnetic feet, on top of the engine controller or other appropriate location. Horizontal surfaces are best, but the unit may be mounted vertically or even upside down if necessary. *Note: If mounted vertically, install the monitor with the cables down to prevent water from entering the enclosure.*
4. Route the data/power cable through the cable entry on the bottom of the generator control.
5. The monitor can connect to the DEC3000 via an optional basic relay kit that could be used with a hardwired connection, or through a 2-wire (RS485) Modbus connection. The Modbus connection offers greater diagnostic capabilities with the OmniMetrix system.
6. To utilize the Modbus capabilities of the DEC3000, connect the OMN white (Data+) and green (Data-) wires to connector P21 as shown in the photo. If a Kohler Annunciator is already connected to this block, you will have to choose between the OmniMetrix monitor and the annunciator. The DEC3000 will not support both simultaneously, possibly requiring hardwire connection with the relay kit.
7. Attach the antenna cable to the front of the monitor, and tighten thumb tight.
8. Turn on the monitor and confirm that the LEDs light up and blink. If not, check for power on the terminal strip. If, after 5 minutes, the only LED lit is the Power LED, check the antenna mount and cable connection.
9. Allow 15 minutes for the monitor to log into the network and then call OmniMetrix at 770-209-0012 to confirm installation. Access to machine data is through the OmniView® web interface at www.omnimetrix.net. Contact OmniMetrix for login instructions and web training.



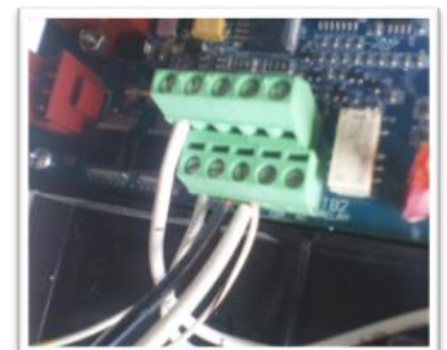
Data/Power Cable



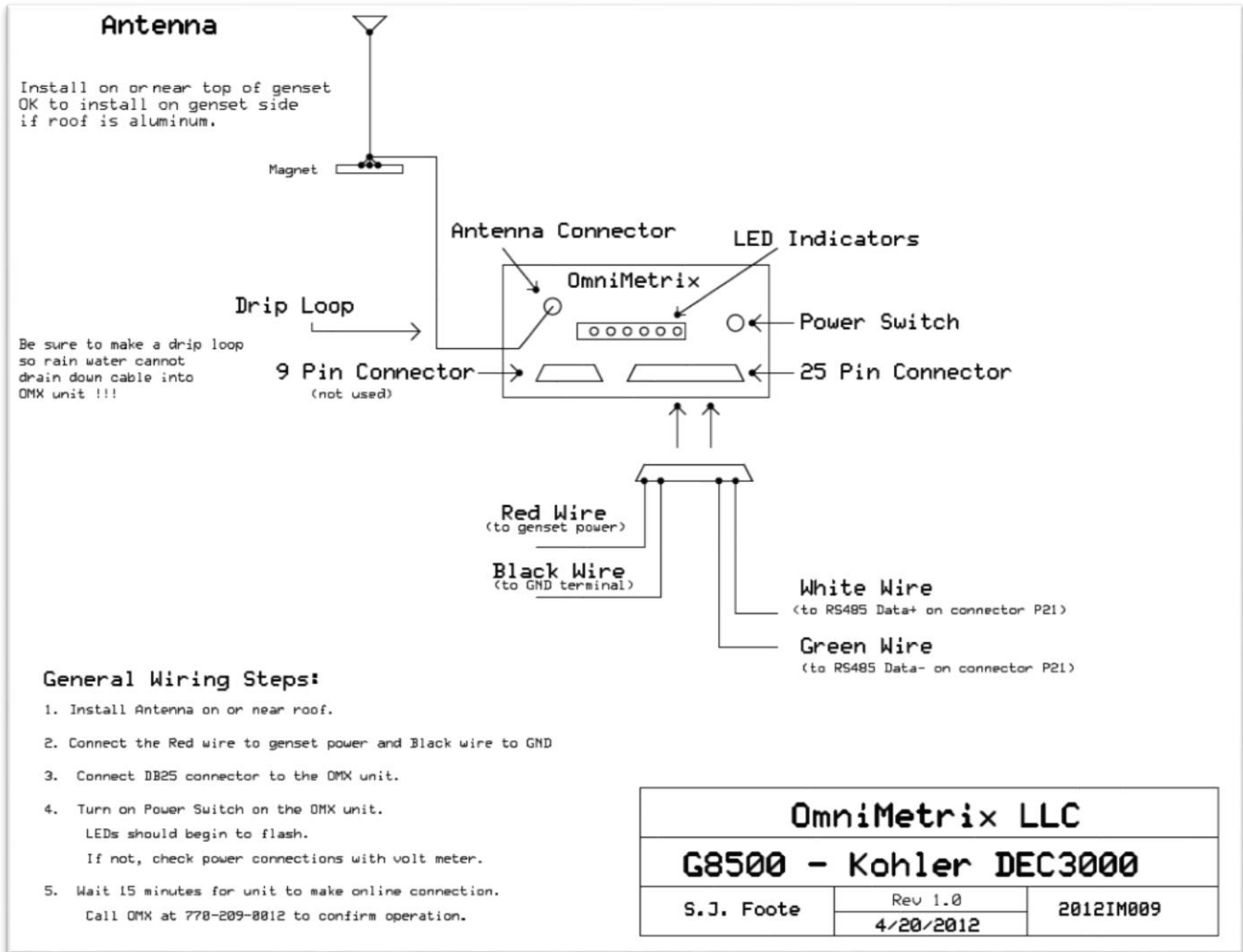
Kohler DEC3000 Controller



DEC3000 Modbus (RS485) Connection



Remote Start/Stop



If you have any questions, please call OmniMetrix Tech Support at 770-209-0012 or email at techsupport@omnimetrix.net.