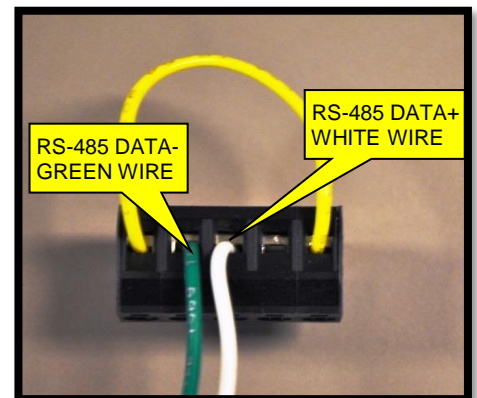


1. **Note: The TrueGuard 2 is for 12 VDC operation only.**
2. Unpack the monitor, with integrated data cable, and the antenna. The data cable includes wires to power the monitor as well as wires for alarm inputs, relay outputs and analog inputs. Take a moment to inspect all components to verify there is no shipping damage.
3. Place the antenna vertically on the roof of the generator and route the antenna cable into the area of the generator control. The antenna used for transmitting must be installed to provide a separation distance of at least 20 cm from all persons and must not transmit simultaneously with any other antenna transmitters. **BE SURE** to provide a drip loop lower than the monitor to keep water from running down the antenna cable into the monitor connection.
4. Attach the monitor via its magnetic feet, on top of the engine controller or other appropriate location. Horizontal surfaces are best, but the unit may be mounted vertically or even upside down if necessary. *Note: If mounted vertically, install the monitor with the cables down to prevent water from entering the enclosure.*
5. Route the data/power cable through the cable entry on the bottom of the generator control.
6. To utilize the Modbus capabilities of the controller, connect the OmniMetrix WHITE (Data+) and GREEN (Data-) wires to connector TB15 as shown in the photo. Insert jumper between pins 1 and 5 to keep controller awake. Connect the RED wire to generator Battery B+ and the BLACK wire to generator Battery B-(GND).
7. Attach the antenna cable to the front of the monitor, and tighten thumb tight.
8. Utilizing InPower software, set up the controller communications port for 9600 baud, 8 data bits, 1 stop bit, and no parity. Set Modbus to Enabled and Modbus Node Address=1.
9. Once setup is complete, allow 15 minutes for the monitor to log into the network and then call OmniMetrix at 770-209-0012 to confirm installation. Access to machine data is through the OmniView® web interface at www.omnimetrix.net. Contact OmniMetrix for login instructions and web training.



TrueGuard-2 Monitor



Data Wires



Data Connections

If you have any questions, please call OmniMetrix Tech Support at 770-209-0012 or email at techsupport@omnimetrix.net.