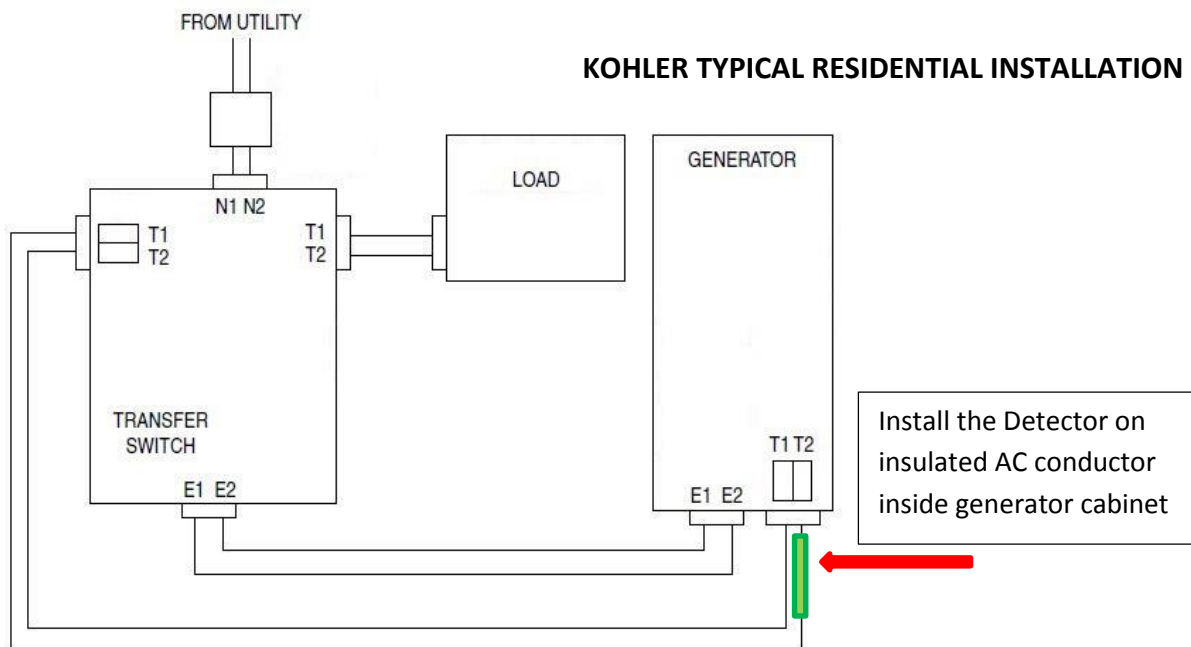
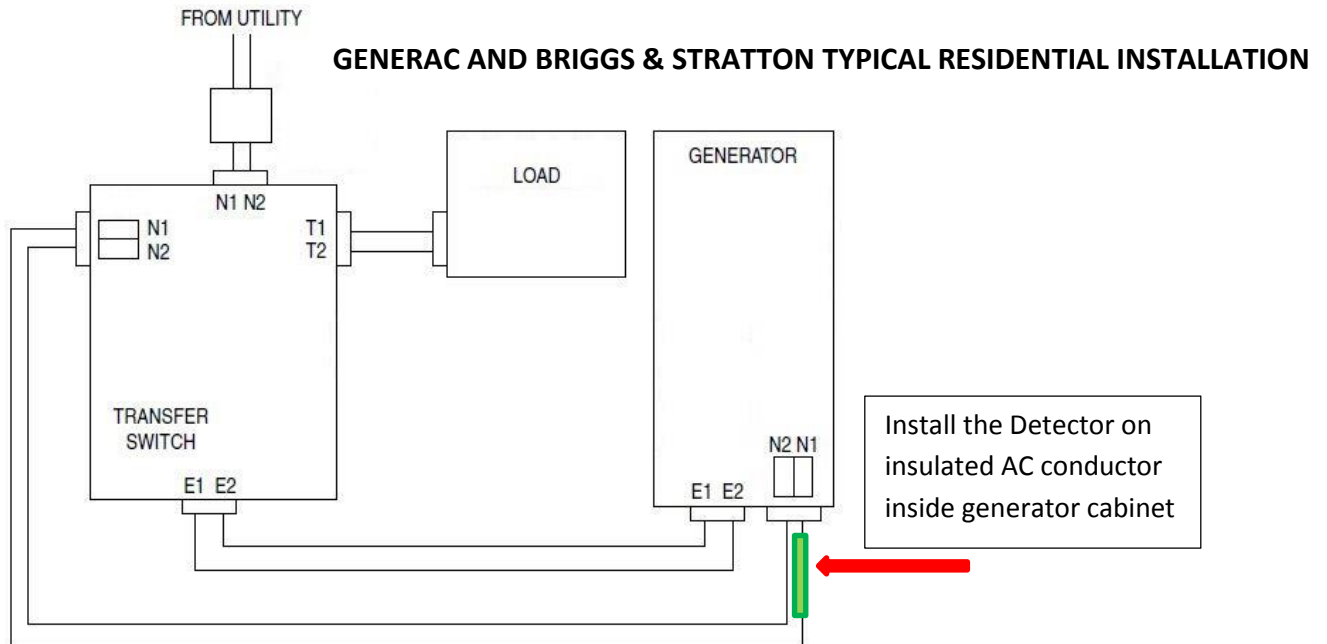


The AC Detector Kit provides an indication of whether or not an AC Voltage is present on the generator (emergency), and/or building (load) outputs.

Installation:

1. Attach the AC Detector with wire ties to the insulated "hot" conductor of an AC normal, generator (emergency) or building (load) output line. See diagrams below for an example of where to connect on a typical generator installation.



- The kit should be attached with the bottom side of the conductor resting on the wire insulation for the whole length of the detector. When installed correctly, you should be able to read the OmniMetrix® lettering on the circuit board. The wire ties should be snugged up tight.



Front View – OmniMetrix label showing



Rear View – AC Conductor on back of Detector

- Connect the AC Detector Kit RED wire to the BROWN alarm wire on the OmniMetrix Monitor and the AC Detector Kit BLACK wire to either the RED/GREEN or BLACK wire on the OmniMetrix Monitor. Please allow extra time for installation.

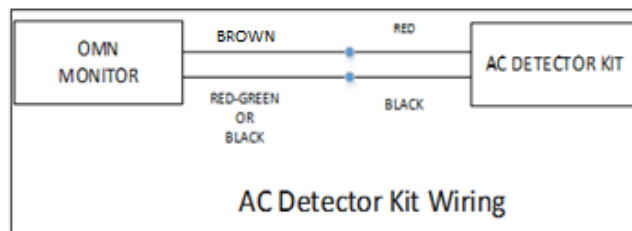


Figure 1



Figure 2

- If the supplied AC Detector has a yellow wire attached, wrap it around the monitored conductor as shown in Figure 1. Then, secure the yellow wire in place with electrical tape as shown Figure 2. The direction of wrapping is unimportant.
- Allow 15 minutes for the monitor to login to the network, and then call OmniMetrix at 770-209-0012 to complete installation.

If you have any questions, please call OmniMetrix Tech Support at 770-209-0012 or email at techsupport@omnimetrix.net.